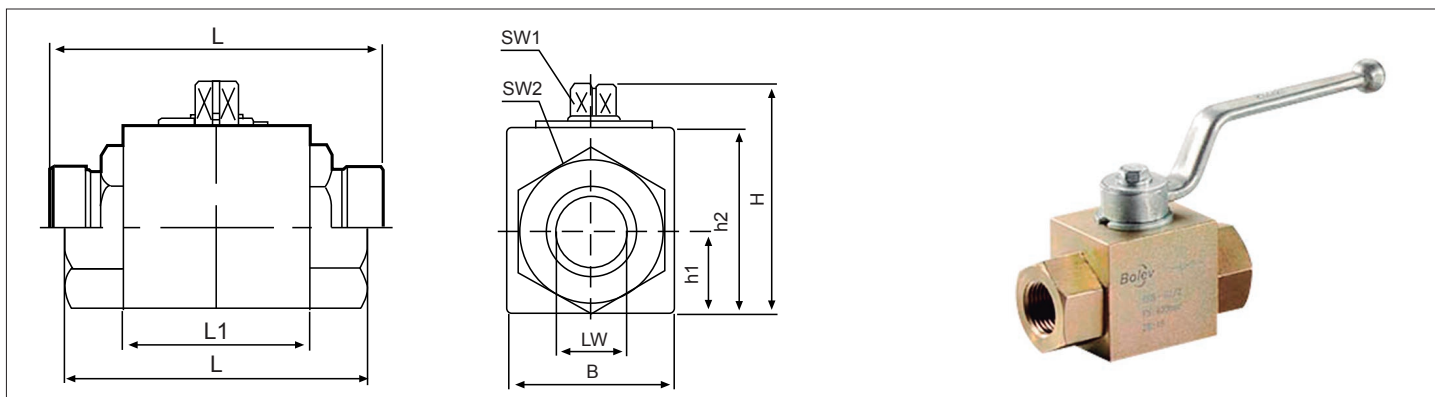




OLEOHIDRÁULICA

ELECTRO VÁLVULAS
VÁLVULA DE BOLA


SAP	Códigos Dígito	Catálogo	Descripción	Presión Máx(Bar)	Caudal Lt/min
3006734	3006734	KHB-NPT 1/2 DN 13	VAL. DE BOLA ALTA PRESION 2 VIAS 1/2" NPT	500	35
3006735	3006735	KHB-NPT 3/4 DN 20	VAL. DE BOLA ALTA PRESION 2 VIAS 3/4" NPT	315	80
3006736	3006736	KHB-NPT 1 DN 25	VAL. DE BOLA ALTA PRESION 2 VIAS 1" NPT	315	150
3006737	3006737	KHB-NPT1 1/2 DN40	VAL. DE BOLA ALTA PRESION 2 VIAS 1-1/2" NPT	315	280

Dimensiones

Model	Presión(Bar)	DN	LW	d1	i	L	L1	B	H	h1	h2	SW1	SW2
KHB-NPT1/8	500	4	6	NPT1/8	10	69	40	26	45	13,5	33	9	22
KHB-NPT1/4	500	6	6	NPT1/4	14	69	40	26	45	13,5	33	9	22
KHB-NPT3/8	500	10	10	NPT3/8	14	72	42	32	49	16	36	9	27
KHB-NPT1/2	500	13	12	NPT1/2	16	83	48	35	49	17	40	9	30
KHB-NPT1/2	400	16	15	NPT1/2	16	83	48	38	61	19	45	9	32
KHB-NPT3/4	315	20	20	NPT3/4	18	95	60	48	70	25	55	12	41
KHB-NPT1	315	25	25	NPT1	21	113	65	57	79	28,5	64	12	50
KHB-NPT1 1/4	315	32	32	NPT1 1/4	22	110	84	75	101	37,5	84	14	60
KHB-NPT1 1/2	315	40	38	NPT1 1/2	24	130	91	85	112	42,5	95	14	70
KHB-NPT2	315	50	48	NPT2	26	140	100	105	131	52,5	112	14	80